



**INTELLECTUAL**  
PROPERTY OFFICE

**Printed list of Registered Designs as shown in the  
Registered Designs Journal No 6401 published  
25 January 2012**

4022057

Grant Date 03 January 2012



**Design Text:**

Mobile phone case

**Proprietor:**

3DS Retail Ltd

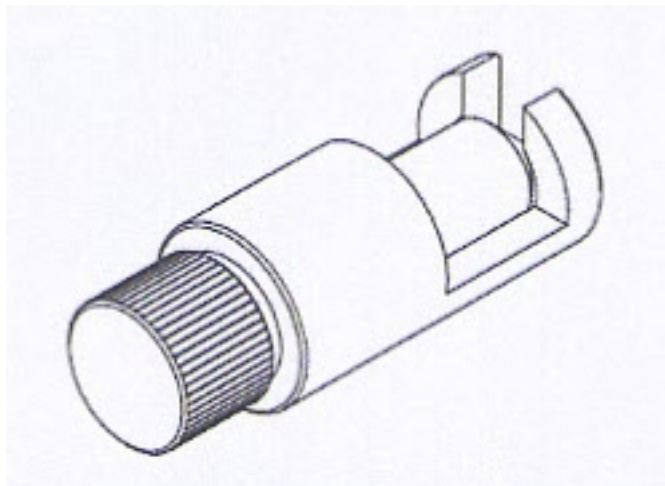
**Agent:**3DS Retail Ltd

**Registration Date:** 21 October 2011

LOC (07) Cl. 03-01

4022099

Grant Date 03 January 2012



**Design Text:**

Brake pipe fluid lock kit

**Proprietor:**

The Tool Connection Ltd

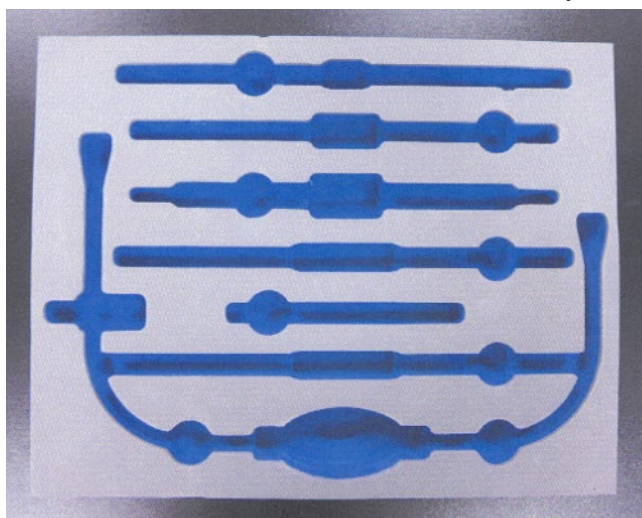
**Agent:**The Tool Connection Ltd

**Registration Date:** 25 October 2011

LOC (07) Cl. 08-05

4022098

Grant Date 03 January 2012



**Design Text:**

Diesel bleeding/primer kit storage foam

**Proprietor:**

The Tool Connection Ltd

**Agent:**The Tool Connection Ltd

**Registration Date:** 25 October 2011

LOC (07) Cl. 03-01

4022201

Grant Date 03 January 2012



**Design Text:**

Threaded stud and washer for a conversion kit.

**Proprietor:**

Stephen Betteley

**Agent:**Stephen Betteley

**Registration Date:** 28 October 2011

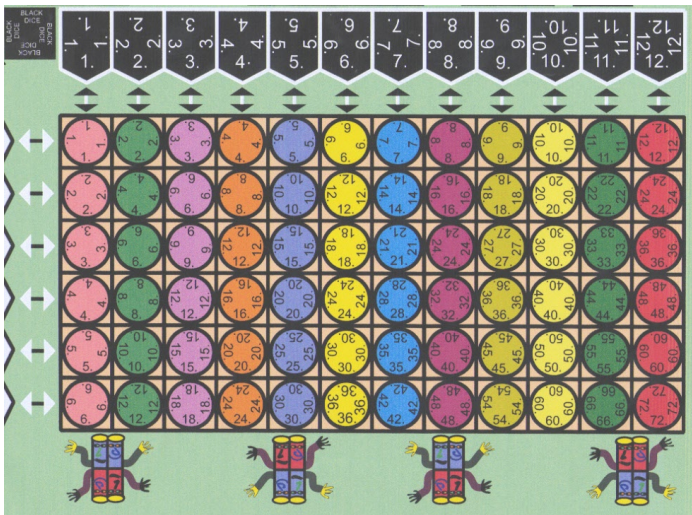
LOC (07) Cl. 08-08

4018989

Grant Date 04 January 2012

4022674

Grant Date 05 January 2012



**Design Text:**

Board game

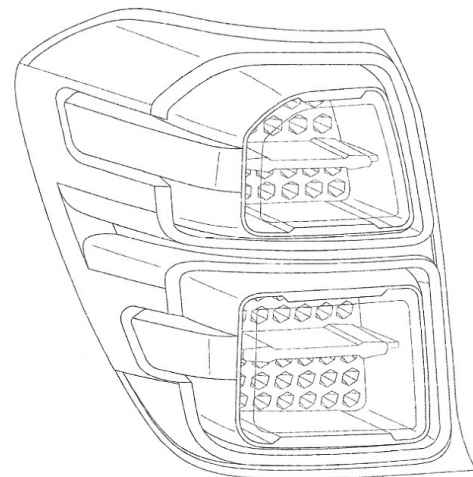
**Proprietor:**

Gilbert Ross

**Agent:** Gilbert Ross

**Registration Date:** 25 February 2011

LOC (07) Cl. 21-01



**Design Text:**

Vehicle Tail Lamp

**Proprietor:**

GM Global Technology Operations LLC

**Agent:** Williams Powell

**Registration Date:** 09 December 2011

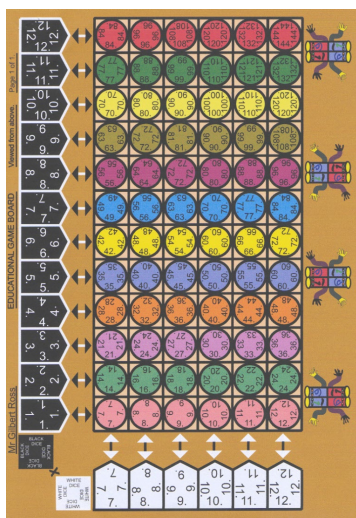
LOC (07) Cl. 26-06

4018993

Grant Date 04 January 2012

4022675

Grant Date 05 January 2012



**Design Text:**

Educational board game

**Proprietor:**

Gilbert Ross

**Agent:** Gilbert Ross

**Registration Date:** 25 February 2011

LOC (07) Cl. 21-01

**Design Text:**

Vehicle Bed Liner

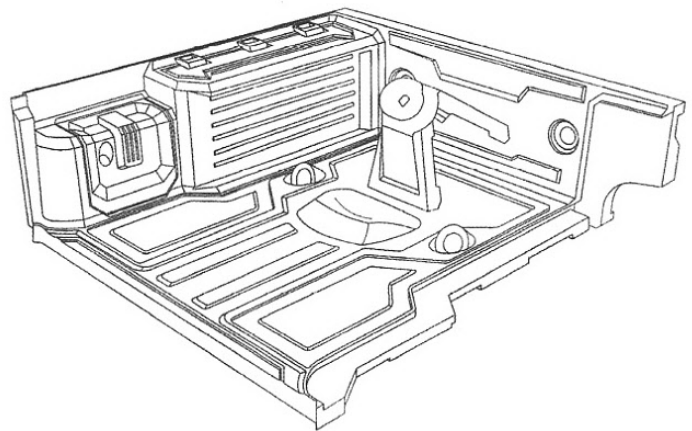
**Proprietor:**

GM Global Technology Operations LLC

**Agent:** Williams Powell

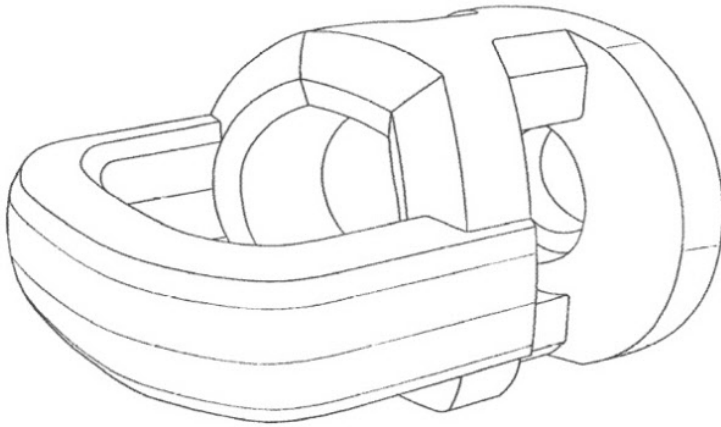
**Registration Date:** 09 December 2011

LOC (07) Cl. 12-16



4022676

Grant Date 05 January 2012



**Design Text:**

Vehicle Tow Hook

**Proprietor:**

GM Global Technology Operations LLC

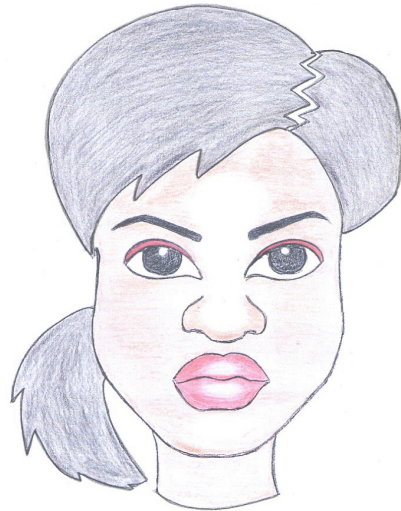
**Agent:**Williams Powell

**Registration Date:** 09 December 2011

LOC (07) Cl. 12-16

4022732

Grant Date 05 January 2012



**Design Text:**

A head for a doll

**Proprietor:**

Carolyn Crossley

**Agent:**Carolyn Crossley

**Registration Date:** 02 September 2011

LOC (07) Cl. 21-01

4022678

Grant Date 05 January 2012



**Design Text:**

Crop cover clip

**Proprietor:**

Gardening Naturally Ltd

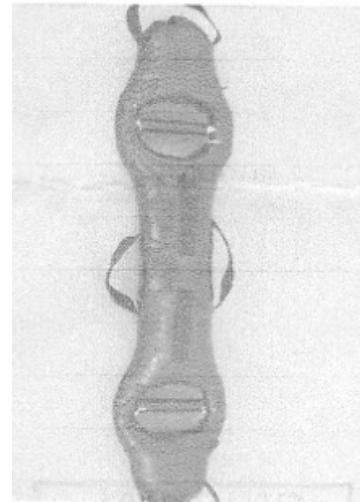
**Agent:**Sandiford Tennant LLP

**Registration Date:** 09 December 2011

LOC (07) Cl. 99-00

4022759

Grant Date 05 January 2012



**Design Text:**

Hand held weighted fitness equipment, shaped like a yoke

**Proprietor:**

Neil Anders Lassen Grew

**Agent:**Neil Anders Lassen Grew

**Registration Date:** 11 November 2011

LOC (07) Cl. 21-02

## Designs Extended

The designs listed below have been renewed for further periods of five years each, by payment of the appropriate fee.

### Second Period

4000781 4000813 4000814  
4000815 4001107 4001165  
4001166 4001167 4001168  
4001169 4001170 4001171  
4001255 4001301 4001302  
4001303 4001304 4001305  
4001801 4001862

### Third Period

2106740 3000122 3000123  
3000453 3000501 3000567  
3000731 3000741 3000754  
3000756 3000771 3000788  
3000801 3000802 3000803  
3000804 3000805 3000806  
3000841 3000842 3000886  
3000887 3000888 3000889  
3000890 3000923 3000946  
3000957 3000958 3000959  
3000960 3000970 3001000  
3001001 3001002 3001020  
3001064 3001075 3001076  
3001097 3001131 3001132  
3001683 3002147 3002148  
3002149 3009042

### Fourth Period

2059297 2062132 2062186  
2062215 2062222 2062482  
2062755 2062778 2062833  
2063002 2063003 2063168  
2063594 2063710 2064823  
2064824

### Fifth Period

2019800 2020343 2020344  
2020345 2020346 2020347  
2020348 2020349 2020350  
2020351 2020352 2020473  
2020633 2020634