



Patent Factsheet: Publication

This fact sheet includes basic information about the first publication of your patent application, the so called “A” publication. It explains the form in which your application is published, what additional information is published at this stage, and its significance on future rights. This fact sheet does not carry any information about second or “B” publication, which takes place after a patent is granted.

Publication

What does “A” publication mean?

Copies of your specification are made available to the general public and sent to specialist libraries and other Patent Offices around the world. The application is laid open to public inspection and the fact of publication is advertised in the Intellectual Property Office Patents and Designs Journal. Details of your application are also put on to computer databases. It is therefore at this stage that all details of your invention are seen by competitors. The act of publication gives notice that you are seeking a patent and warns the public of the monopoly sought (via the claims). **If you do not want your application published you must withdraw it before the date when preparations for publication are complete.** An indication of this date will be provided in the cover letter of your search report. A few days before this date, we write to you to give the exact date when preparations for publication will be complete and provide you with a publication number and date of publication. By then it may be too late prevent publication of your application.

What is published?

The published “A” document includes:

- (i) the description of your invention (as originally filed),
- (ii) any drawings filed with your application (as amended if necessary),
- (iii) the first set of claims filed (and the last set of any amended claims received before publication),
- (iv) the front page with the abstract (which may have been amended by the examiner), an illustrative drawing, bibliographic details and a list of documents cited on the search report,
- (v) a copy of the search report.

In addition, at “A” publication, all the correspondence on file between you and the Intellectual Property Office becomes available to the public. It is not included in the “A” document, but may be inspected by any member of the public requesting to see it.

What are the reference codes on the front page of the “A” document?

These are standard codes used by all countries that are members of the World Intellectual Property Organisation (WIPO). Overleaf there is a typical front page with an explanation of the codes used.

When is my application published?

Unless you have requested accelerated publication, “A” publication will not generally take place until about 18 months from the earliest date of your application – either the filing date or the priority date (if claiming priority from an earlier application). In the example given overleaf the application was filed 17.06.1992 but has an earlier priority date of 19.06.1991; the publication date is 23.12.1992, approximately 18 months from the priority date.

Have I any patent rights?

At this “A” publication stage you have no patent protection. A patent is only granted when an application meets the requirements of the Patents Act and Rules and this can only be established by substantive examination (see below). If a patent is eventually granted, you may be able to take action against infringements which have occurred after your “A” publication date, but not for the period between filing and first publication of your application.

What do I do next?

You may decide that you do not wish to proceed with your application, for example, if the documents cited in the search report indicated that your invention was not new. However, if you decide to continue you have 6 months from the date of “A” publication in which to request substantive examination of your application, unless you have done so already, by filing Patents Form 10, with fee.

(21) Application No 9212826.3

(22) Date of filing 17.06.1992

(30) Priority data

(31) 03054797 (32) 19.06.1991 (33) JP

(71) Applicant
Kabushiki Kaisha Tokai Rika Denki Selsakusho
(Incorporated in Japan)

1, Aza Noda, Oaza Toyota, Oguchi-cho, Niwa-gun,
Aichi, Japan

(72) Inventor
Tadaashi Usami

(74) Agent and/or Address for Service
Marks & Clerk
Alpha Tower, Suffolk Street Queensway, Birmingham,
B1 1TT, United Kingdom

(51) INT CL⁵
B60R 1/06

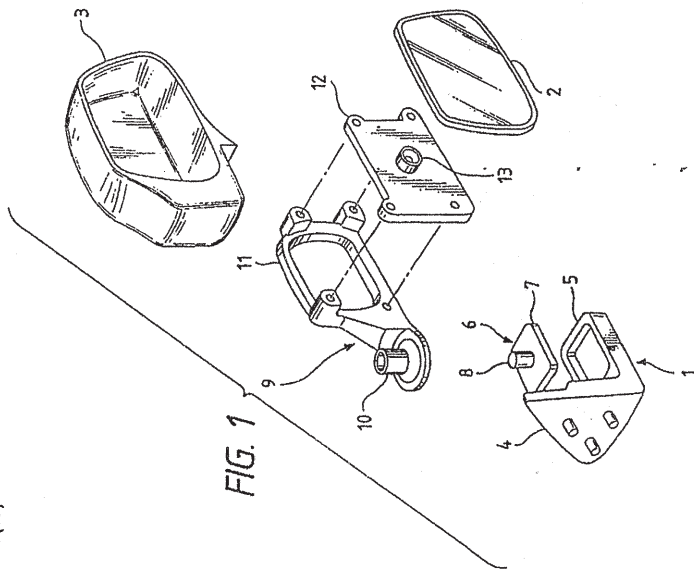
(52) UK CL (Edition K)
B7J J69

(56) Documents cited
GB 1521538 A EP 0289266 A2

(58) Field of search
UK CL (Edition K) B7J
INT CL⁵ B60R 1/06
Online databases: W.P.I.

(54) Door mirror for vehicle

(57) A door mirror for a vehicle comprises a bracket (9) pivotally mounted on a stay (1), the bracket (9) being a resin molding, the resin containing glass fibers, a drive unit (12) is disposed on the bracket (9), and a main mirror body (2) is secured to the drive unit (12).



GB 2 256 839 A

EXPLANATION OF REFERENCE CODES

- (11) Patent number given to published document
- (12) Description of document
- (13) Code letter applied to type of publication (See overleaf)
- (19) Standard, two letter, code to define country
- (21) The reference number given to the application (year related) by the Intellectual Property Office at filing
- (22) The date that the application was filed with the Intellectual Property Office
- (30) Information about the earliest date that the application carries (See over) eg (31) is priority application number, (32) is date of that application and (33) priority country (JP is Japan)
- (43) The date on which the application is first published
- (51) The International Patent Classification Code applied by the Intellectual Property Office to this application (and edition of this used)
- (52) The National Classification Code applied by the Intellectual Property Office to this application (and edition used)
- (54) Title of the abstract
- (56) List of prior art documents listed in the search report
- (57) Abstract of the invention
- (58) Document collections searched by the UK examiner (See Search Report Factsheet)
- (71) Persons or corporate body applying for the patent

Enquiries: You can contact the Intellectual Property Office on: 08459 500505 (local call rate) or Minicom for the hard of hearing: 08459 222250. Alternatively visit our website at www.ipo.gov.uk

We are keen to help all our customers as much as possible, but regret that we cannot assist with the commercial exploitation of your invention. This factsheet is not intended to be a comprehensive guide and necessarily omits details which may be relevant in particular circumstances.